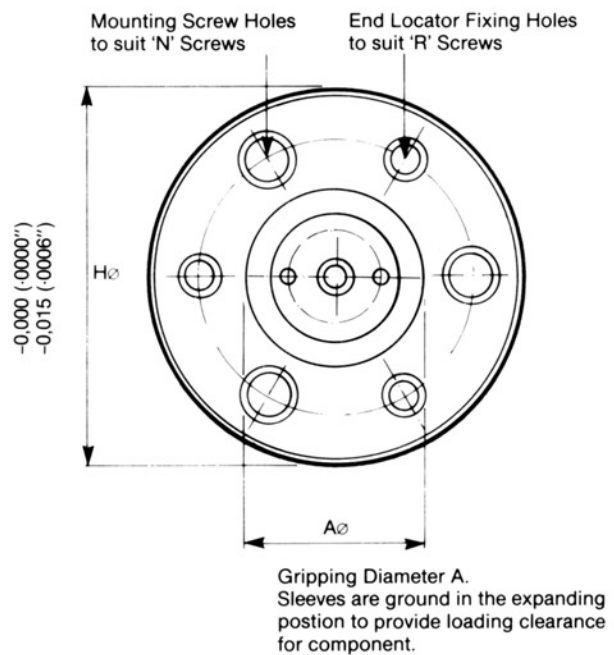
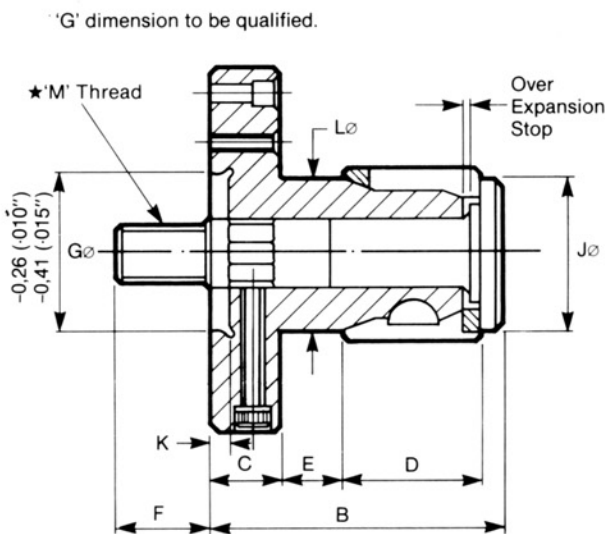
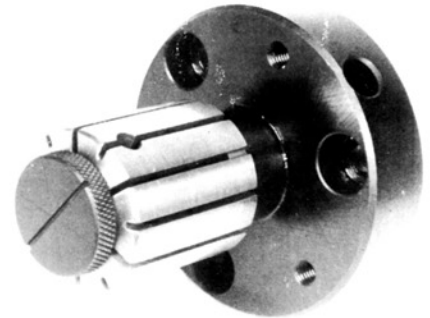


Standard Expanding Mandrels

Face plate drawbar operated
(standard length)



★400 has female thread.

For maximum efficiency expanding sleeves must be preloaded to maintain contact with mandrel double angles at all times.

Model	A Range		B	C	D	E	F	G	H	J	K	L	M	N		R		Order by Tool No.
	Min	Max												PCD	Sz.	PCD	Sz.	
000	.500	.625	2.362	.787	.866	.575	.787	1.575	2.953	.433	.236	.496	M4	2.283	M8	1.102	M4	2.000.90.1
	12,5	16,0	60,0	20,0	22,0	14,6	20,0	40,0	75,0	11,0	6,0	12,6		58,0	M8	28,0		
050	.625	.875	2.598	.787	1.063	.591	.866	1.575	2.953	.591	.236	.555	M8	2.283	M8	1.102	M4	2.050.90.1
	16,0	22,0	66,0	20,0	27,0	15,0	22,0	40,0	75,0	15,0	6,0	14,1		58,0	M8	28,0		
100	.875	1.125	2.835	.787	1.260	.610	1.181	1.575	2.953	.787	.236	.815	M8	2.283	M8	2.283	M6	2.100.90.1
	22,0	28,5	72,0	20,0	32,0	15,5	30,0	40,0	75,0	20,0	6,0	20,7		58,0	M8	58,0		
150	1.125	1.625	3.110	.787	1.496	.602	1.220	1.575	2.953	1.043	.236	1.035	M10	2.283	M8	2.283	M6	2.150.90.1
	28,5	41,0	79,0	20,0	38,0	15,3	31,0	40,0	75,0	26,5	6,0	26,3		58,0	M8	58,0		
200	1.625	2.50	3.307	.787	1.693	.583	1.417	1.575	2.953	1.476	.236	1.457	M12	2.283	M8	2.283	M6	2.200.90.1
	41,0	63,5	84,0	20,0	43,0	14,8	36,0	40,0	75,0	37,5	6,0	37,0		58,0	M8	58,0		
250	2.50	3.00	4.291	.984	2.008	.996	1.417	2.362	4.724	2.165	.236	2.256	M20	3.701	M10	3.701	M8	2.250.90.1
	63,5	76,2	109,0	25,0	51,0	25,3	36,0	60,0	120,0	55,0	6,0	57,3		94,0	M10	94,0		
300	3.00	3.50	4.646	.984	2.244	.972	1.457	2.362	4.724	2.933	.236	2.799	M20	3.701	M10	3.701	M8	2.300.90.1
	76,2	89,0	118,0	25,0	57,0	24,7	37,0	60,0	120,0	74,5	6,0	71,1		94,0	M10	94,0		
350	3.50	5.125	5.236	1.181	2.500	.992	1.850	3.937	7.087	3.406	.236	3.311	M24	5.906	M12	5.906	M10	2.350.90.1
	89,0	130,0	133,0	30,0	63,5	25,2	47,0	100,0	180,0	86,5	6,0	84,1		150,0	M12	150,0		
400	5.125	7.00	6.024	1.181	3.130	.969	.866	3.937	7.087	4.882	.236	4.843	M36	5.906	M12	5.906	M10	2.400.90.1
	130,0	178,0	153,0	30,0	79,5	24,6	22,0	100,0	180,0	124,0	6,0	123,0		150,0	M12	150,0		

THE FACE PLATE DRAWBAR OPERATED EXPANDING MANDREL CAN BE USED ON ANY MACHINE WITH DRAWBAR FACILITY, FOR GENERAL TURNING AND GRINDING OPERATIONS. THE NATURAL PULL-BACK ACTION OF THE SLEEVE ENSURES THE COMPONENT IS HARD AGAINST THE LOCATION FACE. THERE IS AN OVER-EXPANSION STOP BUILT INTO THE MANDREL.